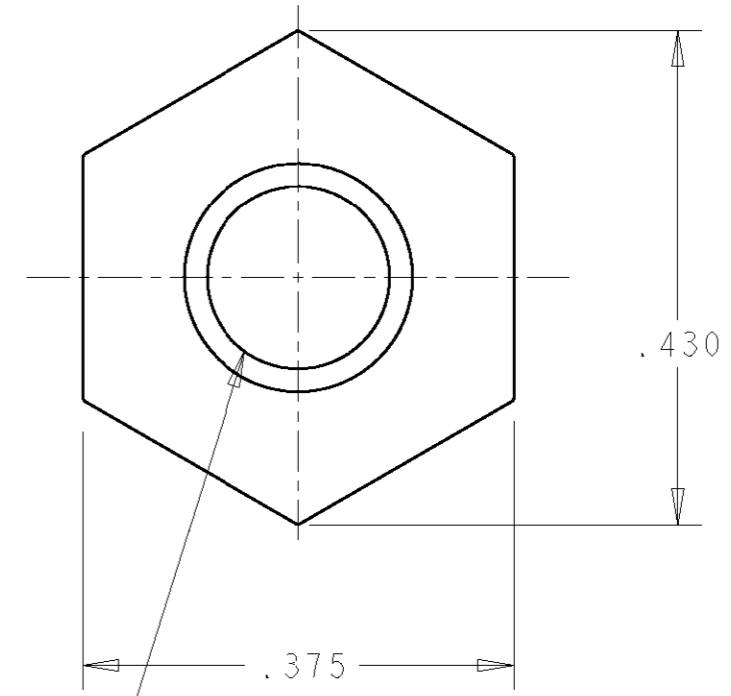
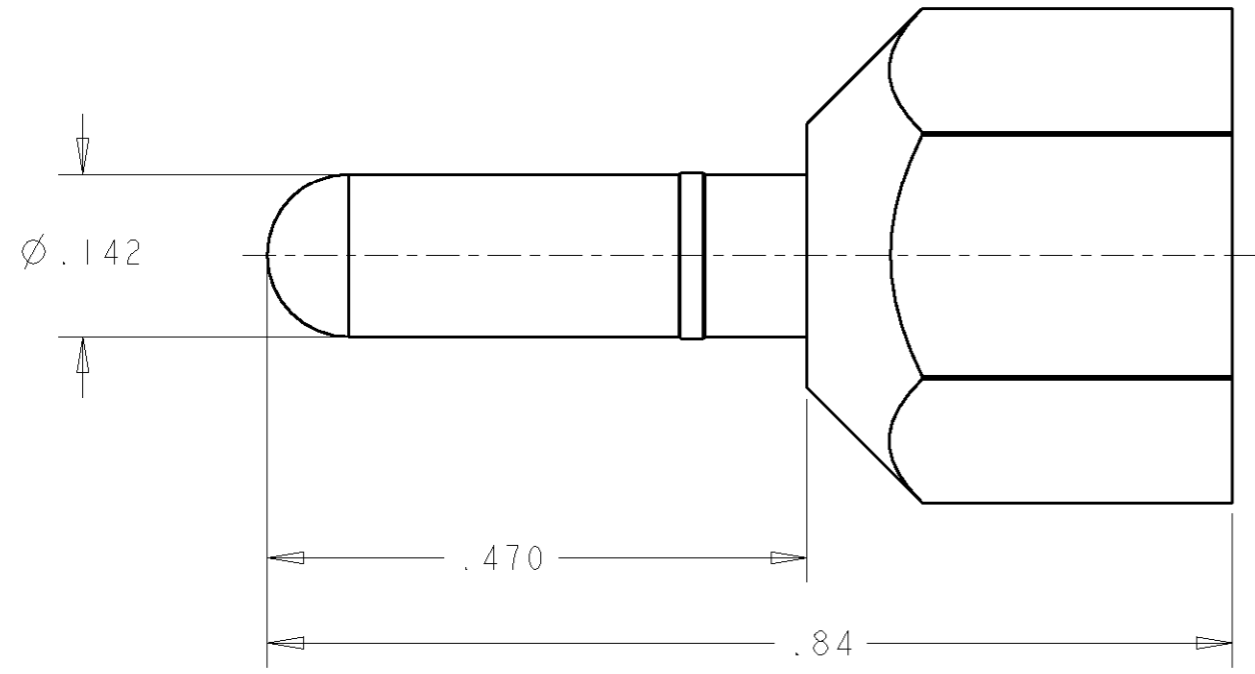


THIS DRAWING IS UNPUBLISHED. RELEASED FOR PUBLICATION 20  
 © COPYRIGHT 20 BY TYCO ELECTRONICS CORPORATION. ALL RIGHTS RESERVED.

LOC	DIST	REVISIONS				
P	LTR	DESCRIPTION	DATE	DWN	APVD	
GP	00	A	RELEASED	01JUN2007	RG	DO



#10-32 UNC 2B THD.  
X .25 MIN DP

1. PART NUMBER CHANGES AND/OR DESIGN CHANGES AFFECTING ITEM INTERCHANGEABILITY REQUIRES PRIOR TYCO APPROVAL AND AUTHORIZATION BY REVISION TO THIS DRAWING.

2 MATERIAL: BRASS ALLOY

3 FINISH: SILVER PLATE .000200 MIN THK. OVER NICKEL  
.000040 MIN THK.

4. ITEMS PROVIDED TO THIS SPECIFICATION TO BE PERMANENTLY IDENTIFIED ON THE CONTAINER PER THE FOLLOWING IDENTIFIER:

TYCO PART NUMBER: XXXXXXXX-X  
 DATE CODE (eg. 0216): YEAR 1 WEEK 1  
 XXXX

AS SHOWN	1766150-1
DESCRIPTION	PART NUMBER

<small>THIS DRAWING IS A CONTROLLED DOCUMENT FOR TYCO ELECTRONICS CORPORATION. IT IS SUBJECT TO CHANGE AND THE CONTROLLING ENGINEERING ORGANIZATION SHOULD BE CONTACTED FOR THE LATEST REVISION.</small>		DWN 01JUN2007 R.GRZYBOWSKI CHR 01JUN2007 D.ORRIS APVD 01JUN2007 S.FLICKINGER		Tyco Electronics Harrisburg, PA 17105-3608	
DIMENSIONS: INCHES 		TOLERANCES UNLESS OTHERWISE SPECIFIED: 0 PLC ±- 1 PLC ±- 2 PLC ±.02 3 PLC ±.010 4 PLC ±- ANGLES ±-		NAME: CONTACT, PIN, SIZE No. 8 10-32 INT. THD. LOCKING ICCON	
MATERIAL: - FINISH: -		PRODUCT SPEC: - APPLICATION SPEC: - WEIGHT: -		SIZE: A3 CAGE CODE: 00779 DRAWING NO: C-1766150 RESTRICTED TO: -	
CUSTOMER DRAWING				SCALE: 6:1 SHEET 1 OF 1 REV A	

**ELCON CONTACTS**